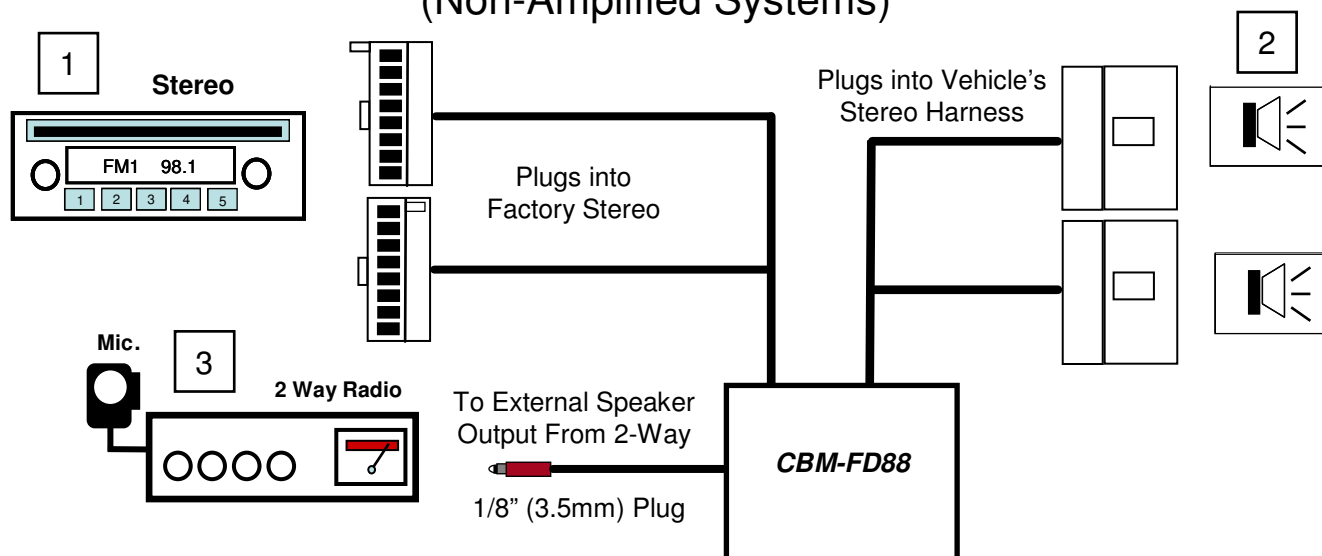


CBM-FD88 A Plug & Play Automatic Stereo Mute & Speaker Switch for Most 1988-'97 Fords with OE Stereo and a 2 or 4-Speaker System (Non-Amplified Systems)



Hear 2-Way Radio Voice Through the Factory Speakers

CBM-FD88 (CB Monitor) is a automatic stereo muting and speaker switching device that allows seamless interaction between the factory stereo and CB or other radio receiving device equipped with an 1/8" mono external speaker output jack.

Placement of **CB Monitor** is between the factory stereo and the vehicle's stereo harness. When the installation is complete, the **CB Monitor** will be mounted behind the dash near the stereo.

How It Works: When a voice transmission is received on a 2 way-radio, the **CB Monitor** automatically mutes the stereo and switches the two front speaker to the 2 way radio voice. It remains switched and muted for about three seconds after the last voice transmission is received, then returns back to normal stereo play.

Installs In Minutes with No Adjustments or Modifications to the Vehicle Needed

Start by removing the stereo and disconnecting the vehicle's stereo harness from the back of the stereo.

- (1) Plug the 16-pin female plug from the **CB Monitor** into the stereo.
- (2) Plug 16-pin male plug from **CB Monitor** into the vehicle's stereo harness.
- (3) Plug the 1/8" (3.5mm) male connector from the **CB Monitor** into the Two-Way Radio, Scanner or GPS 1/8" External Speaker Output Socket.

Adjustments to the Two-Way Radio's volume and squelch controls will give you control over the **CB Monitor's** muting of the stereo. Less squelch will result in more stereo interruptions. However, very low to no squelch and very low volume can result in no muting at all. A balance of volume at normal listening level and a good squelch setting will deliver the best results.

For additional information go to www.audiointerrupt.com, e-mail info@audiointerrupt.com, phone 858-349-4918