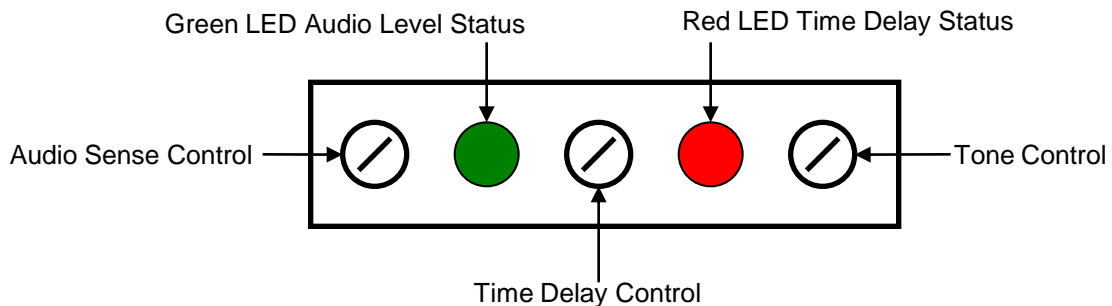


# **CBM-U4AM** is a 7Watt X2 Speaker Amplified Two-Way Radio Audio Activated 2 or 4 Channel Stereo Mute And Speaker Switcher

**CBM-U4AM is an effective** amplified audio-activated stereo mute and speaker switching device allowing seamless and fully automatic interaction between the vehicle stereo speakers and two-way radio equipped with a mono 1/8" (3.5mm) speaker output jack.

**How It Works:** When audio is present (volume, set at a pleasant listening level) on a mono two-way radio output, the vehicle stereo output automatically mutes while the two front speakers switch to Two-Way Audio. All other speakers go mute. The front speakers remain switched and stereo mute for an adjustable time delay (operator preference). After the last audio message is received CBM-U4AM automatically returns back to normal stereo play

**Adjustments:** Located on the front panel of the CBM-U4AM are three access holes and two LEDs. Just inside these openings are adjustable controls



### **Audio Sense Control:**

Insert the 3.5mm priority plug of CBM-U4AM into the audio output socket of the two-way radio or other radio receiving device.

On the "two-way radio or other radio receiving device" set its audio volume control to a 30/40% level.

On the CBM-U4AM. Use a small thin narrow screw-driver blade to adjust the Audio Sense Control so that the Green status LED display fluctuates with intensity when audio is present on the two-way radio at a pleasant listening level. This sets the threshold of the CBM-U4AM. Characteristics should suit each operator's individual situation. Counter clockwise is least sensitive with low volume audio output, clockwise is most sensitive with high audio volume gain.

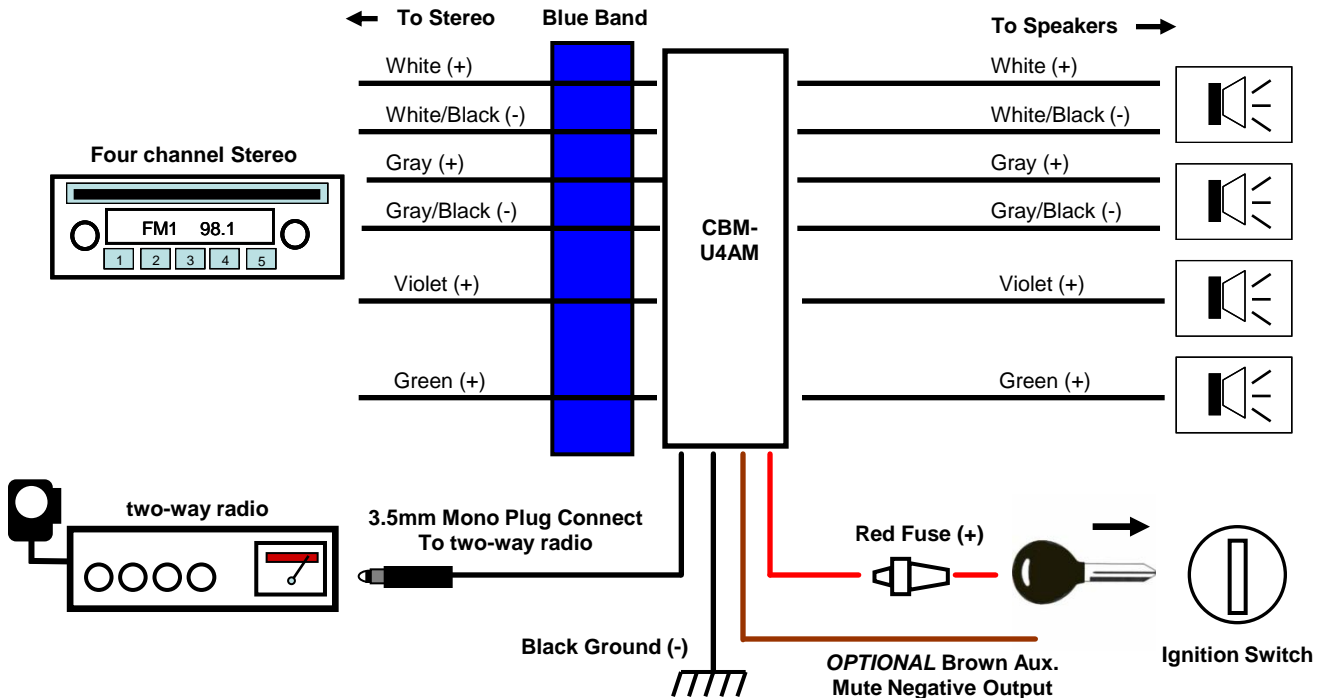
### **Time Delay Control:**

By turning the control full counter clockwise makes the least time delay (2 second delay). Turning fully clockwise makes the most time delay (30 second delay) Red-LED is a visual display indicating the timer is active and stereo is switched off to the adjusted time. Operator option.

### **Tone Control:**

By turning the control full counter clockwise makes the tone of the Two-Way radio or other radio receiving device tone High. Full clockwise makes the tone Low. Operator option.

# CBM-U4AM 2 or 4 SPEAKER AUDIO INTERRUPT



**Installing** the **CBM-U4AM** takes only basic wiring skills and tools

**The CBM-U4AM** is mounted between the stereo and speakers

**The 3.5 mm** (1/8") mono male plug from CBM-U4AM plugs into the two-way radio external-speaker, output jack.

**Black wire** of the CBM-U4AM connects to the chassis ground. Attach to a clean metal surface of the vehicle with a screw or bolt.

**Red Fused wire** connects to the accessory terminal of the ignition. This is usually found at the fuse panel. Check with your Vehicle owner's manual for the location

**Brown Wire** is an *OPTIONAL*, auxiliary muting wire with a negative output that connects to the mute wire of an aftermarket stereo or to trigger a relay to open the audio path for a subwoofer.

**NOTE:** Do Not Ground This Wire. Cap-off when not used.

# Stereo And Speaker Wiring For the CBM-U4AM

There are Two Groups of lead wires having six wires in each group.

**Group One** has a **BLUE BAND** and connects to the stereo's output wires.

**White wire**

connects to the left front (+) stereo output..

**White/Black wire**

connects to the left front (-) stereo output.

**Gray wire**

connects to the right front (+) stereo output.

**Gray/Black wire**

connects to the right front (-) stereo output

**Violet wire**

connects to the right rear (+) stereo output.

**Note:** Right Rear (-) speaker wire from stereo to the speaker remains connected and uncut.

**Green wire**

connects to the left rear (+) stereo output.

**Note:** Left Rear (-) speaker wire from stereo to the speaker remains connected and uncut.

**Group Two** has **NO BAND** and connects to the speaker wires

**White wire**

connects to the left front (+) speaker wire.

**White/Black wire**

connects to the left front (-) speaker wire.

**Gray wire**

connects to the right front (+) speaker wire.

**Gray/Black wire** connects to the right front (-) speaker wire

**Violet wire**

connects to the right rear (+) speaker wire

**Green wire**

connects to the left rear (+) speaker wire

**Zip Tie all loose wires together.**