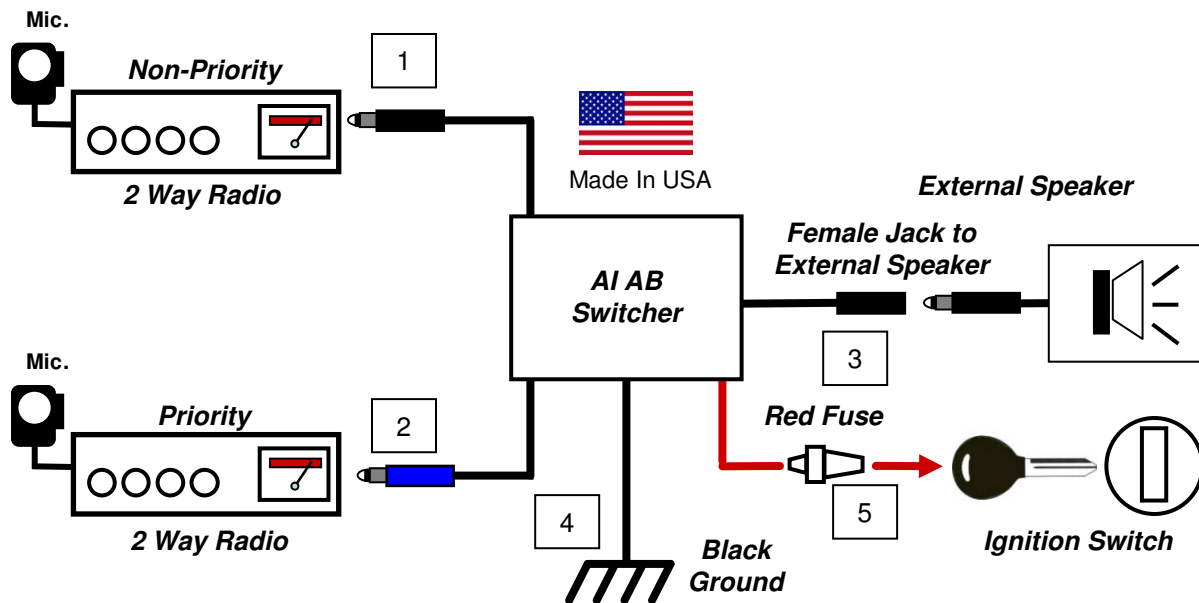


AI AB-Switcher

The **AI AB- Switcher** is an automatic speaker level audio source selector, that switches a single external speaker to one of two mono speaker level audio source.

www.audiointerrupt.com Tel:858-349-4918



(1) The **Non-Priority** 2 Way-Radio with an external speaker output source connects to the black male 3.5mm (1/8") mono plug.

(2) The **Priority** 2 Way-Radio with an external speaker output source connects to the black with blue band male 3.5mm (1/8") mono plug.

(3) **Female** 3.5mm (1/8") mono jack connects to an external speaker or an Audio Interrupt product.

(4) **Black Lead** wire of the **AI AB Switcher** with a ring terminal connects to the chassis ground. Attach to a clean metal surface of the vehicle with a screw or bolt.

(5) **Red Fused Lead** wire with push-on terminal connects to the accessory terminal of the ignition or to a constant 12V+ power source. This is usually found at the fuse panel. Check with your vehicle owner's manual for the location

How it Works:

Audio is normally heard through the external speaker from a **Non-Priority** source .When audio becomes active on the **Priority** source the **AI AB Switcher** automatically switches the external speaker or Audio Interrupt device to **Priority**. The **AI AB Switcher** remains switched for three seconds after the last message was present on the **Priority** source. Then automatically switches back.

Water Proof Potting compound is used on this product to encapsulate the circuitry and cable assembly that protects against vibration, dust and accidental immersion in sea water. JIS8 rated Made in the USA.