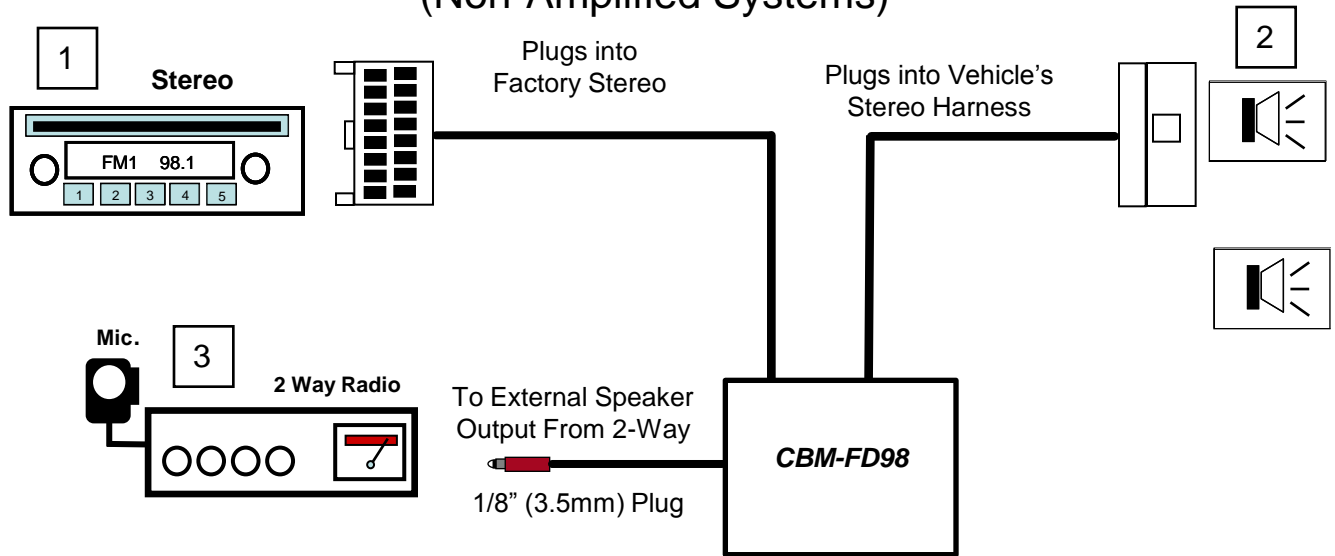


# **CBM-FD98** A Plug & Play Automatic Stereo Mute & Speaker Switch for Most 1998-'02 Fords with OE Stereo and a 2 or 4-Speaker System (Non-Amplified Systems)



## Hear 2-Way Radio Voice Through the Factory Speakers

**CBM-FD98 (CB Monitor)** is a automatic stereo muting and speaker switching device that allows seamless interaction between the factory stereo and CB or other radio receiving device equipped with an 1/8" mono external speaker output jack.

**Placement** of **CB Monitor** is between the factory stereo and the vehicle's stereo harness. When the installation is complete, the **CB Monitor** will be mounted behind the dash near the stereo.

**How It Works:** When a voice transmission is received on a 2 way-radio, the **CB Monitor** automatically mutes the stereo and switches the two front speaker to the 2 way radio voice. It remains switched and muted for about three seconds after the last voice transmission is received, then returns back to normal stereo play.

### **Installs In Minutes with No Adjustments or Modifications to the Vehicle Needed**

Start by removing the stereo and disconnecting the vehicle's stereo harness from the back of the stereo.

- (1) Plug the 16-pin female plug from the **CB Monitor** into the stereo.
- (2) Plug 16-pin male plug from **CB Monitor** into the vehicle's stereo harness.
- (3) Plug the 1/8" (3.5mm) male connector from the **CB Monitor** into the Two-Way Radio, Scanner or GPS 1/8" External Speaker Output Socket.

**Adjustments** to the Two-Way Radio's volume and squelch controls will give you control over the **CB Monitor's** muting of the stereo. Less squelch will result in more stereo interruptions. However, very low to no squelch and very low volume can result in no muting at all. A balance of volume at normal listening level and a good squelch setting will deliver the best results.

For additional information go to e-mail: [info@audiointerrupt.com](mailto:info@audiointerrupt.com) - phone 858-349-4918