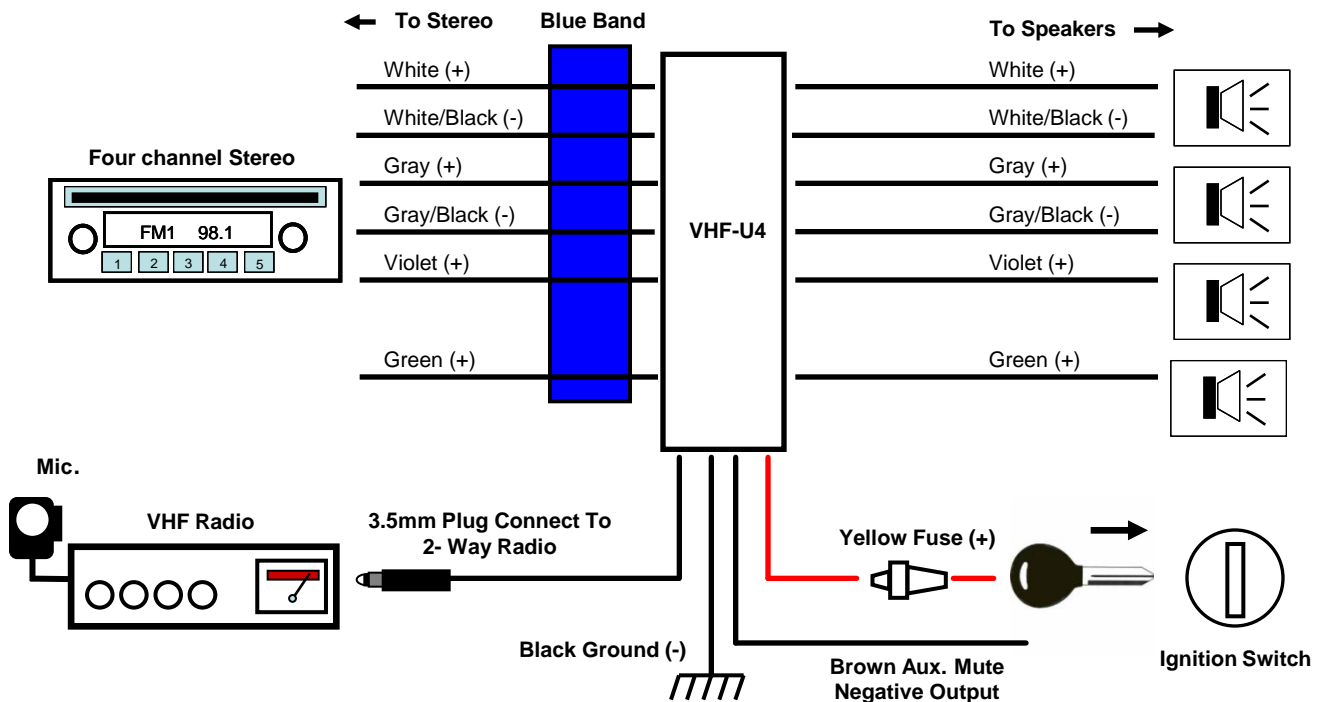


VHF-U4 is a Marine Stereo Mute and Speaker Switch.
Hear VHF Marine 2-Way Radio Through Marine Stereo Speakers.



VHF-U4 is an audio activated, stereo muting and speaker switching device that allows seamless interaction between a marine stereo and a marine VHF 2-way radio equipped with a mono, 1/8" (3.5mm) external speaker, output jack. **Note:** Some VHF, 2-way radios have lead wires for an external speaker output instead of an output jack (see **The 3.5mm** below).

When a voice message is received by the transceiver and detected by the VHF-U4 the stereo's audio will automatically be muted. The VHF-U4 will then connect the two front speakers to the VHF radio's external speaker output. This will allow the VHF's audio to be heard through the stereo's front speakers. 3 seconds after the last voice message is received, the VHF-U4 will return the stereo system to normal play.

Note: This is not an FM modulator that requires the stereo to be set to a particular station in order to work.

The 3.5 mm (1/8") male plug from the **VHF-U4** plugs into the two-way radio 1/8" speaker output socket. Note: Cut plug off for some installations (See **VHF External Speaker Output Connections**).

POWER CONNECTIONS

Black Wire connects to battery (-) ground terminal or vessel chassis ground.

Yellow Fused Wire connects to the 12 volt (+) accessory terminal of the ignition. This is usually found at the fuse panel. Check with your boat owner's manual for the location.

For additional information go to www.audiointerrupt.com email info@audiointerrupt.com or call 858-349-4918

Stereo And Speaker Wiring For the VHF-U4

There are two groups of speaker lead wires, 6 wires in each group.

Group One has a Blue Band and Connects to the Stereo's Speaker Outputs.

White lead connects to the left front (+) stereo speaker output.

White/Black lead connects to the left front (-) stereo speaker output.

Gray Lead connects to the right front (+) stereo speaker output.

Gray/Black lead connects to the right front (-) stereo speaker output

Violet Lead connects to the rear right (+) stereo speaker output.

Green lead connects to the rear left (+) stereo speaker output.

Group Two has NO Band and Connects to the Speakers.

White lead connects to the left front (+) speaker terminal.

White/Black lead connects to the left front (-) speaker terminal.

Gray Lead connects to the right front (+) speaker terminal.

Gray/Black lead connects to the right front (-) speaker terminal.

Violet Lead connects to the rear right (+) speaker terminal.

Green lead connects to the rear left (+) speaker terminal.

Note: Some VHF 2-way radios only have lead wires for an external speaker output. Cut off the 1/8" (3.5mm) plug on the VHF-U2 and wire directly to the speaker output leads of the VHF 2-way radio

VHF External Speaker Output Connections

Black with White stripe lead connects to (+) speaker output lead of the VHF 2-way radio. See VHF radio manual for correct color.

Solid Black lead connects to (-) speaker output lead of the VHF 2-way radio. See VHF radio manual for correct color.

VHF Radio speaker output voltage must be at least .5 to 1V RMS 2-5 watts to operate correctly.

Fuse Use with 2AMP 3AG only.