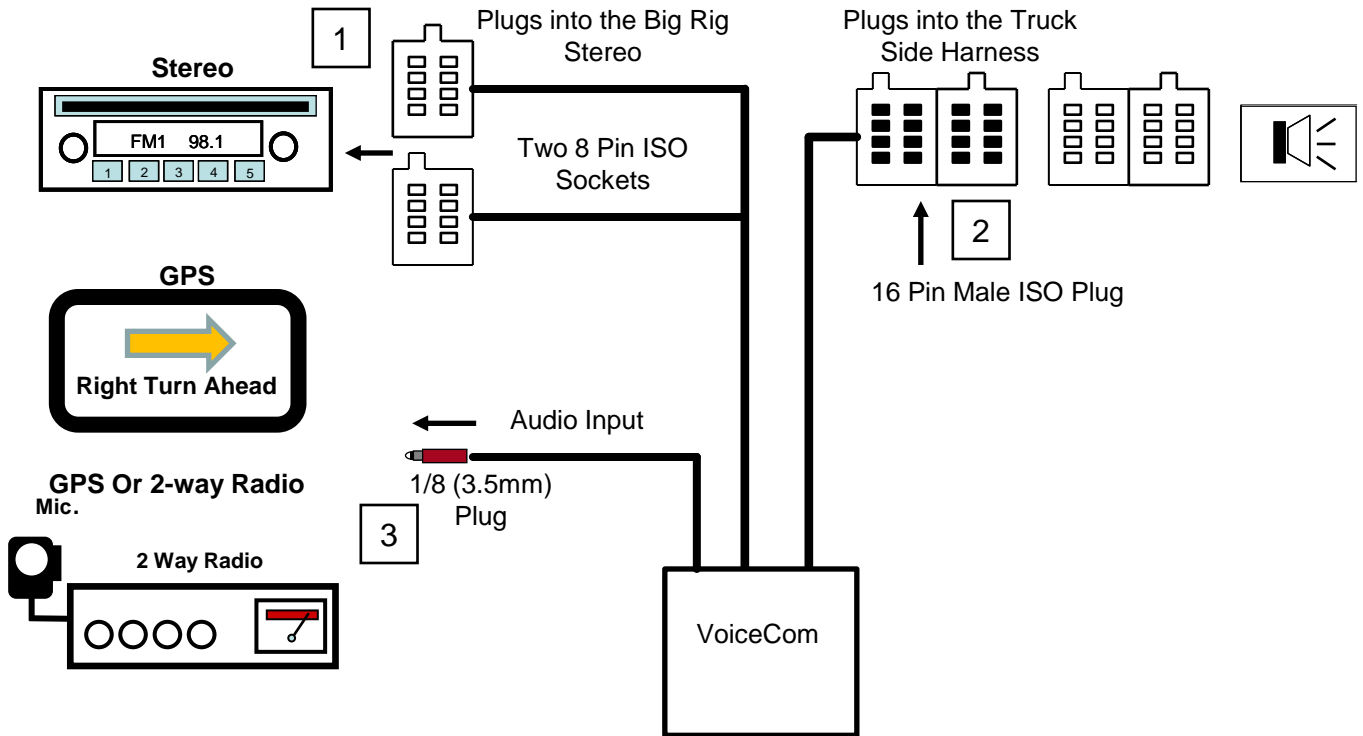


VoiceCom Is a Plug & Play Automatic Speaker Switch For Big-Rigs



Hear GPS Or 2-Way Radio Voice Through BIG-RIG Cab Speakers

VoiceCom is a automatic voice activated stereo muting and speaker switching device that allows seamless interaction between a **Big Rig Stereo** and a scanner or other radio receiving device equipped with a mono 1/8" mono speaker output jack such as on a **GPS, CB, FRS, GMRS, VHF, Ham Radio or Radar Detector**. Placement of **VoiceCom** is between the **Big Rig Stereo** and the factory cab speakers. And is mounted behind the dash. When voice is present (volume set at a pleasant listening level) on a 2 way-radio the stereo will automatically mute and switch the two front speaker to the 2 way radio voice. While the two rear speakers go mute. It remains switched and muted for 4 seconds after the last voice message is received, then returns back to normal stereo play.

Installs In Minutes No Modification Needed

- Unplug the 16 Pin female ISO factory harness from the truck's factory stereo.
- Plug the two ISO 8 pin female plugs from the **VoiceCom** into the **Big Rig Stereo**.
- Plug the 16 pin male plug from **VoiceCom** into the truck side factory 16 pin female harness.
- The 3.5 mm (1/8") male plug from **VoiceCom** plugs into the two-way radio or GPS 1/8" speaker output socket.