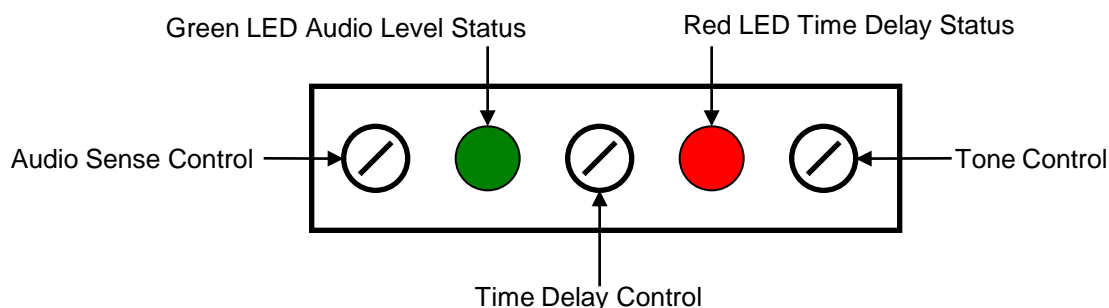


CBM-U4AS is a 7Watt X2 Speaker Amplified Computer or Smart Phone Audio Activated 2 or 4 Channel Stereo Mute And Speaker Switcher

CBM-U4AS is an effective amplified audio-activated stereo mute and speaker switching device allowing seamless and fully automatic interaction between the vehicle stereo speakers and two-way radio equipped with a mono 1/8" (3.5mm) speaker output jack.

How It Works: When audio is present (volume, set at a pleasant listening level) on a computer or Smart Phone having a stereo output, the vehicle stereo output automatically mutes while the two front speakers switch to Two-Way Audio. All other speakers go mute. The front speakers remain switched and stereo mute for an adjustable time delay (operator preference). After the last audio message is received CBM-U4AS automatically returns back to normal stereo play

Adjustments: Located on the front panel of the CBM-U4AS are three access holes and two LEDs. Just inside these openings are adjustable controls



Audio Sense Control:

Insert the 3.5mm priority plug of CBM-U4AS into the audio output socket of the two-way radio or other radio receiving device.

On the "two-way radio or other radio receiving device" set its audio volume control to a 30/40% level.

On the CBM-U4AS. Use a small thin narrow screw-driver blade to adjust the Audio Sense Control so that the Green status LED display fluctuates with intensity when audio is present on the two-way radio at a pleasant listening level. This sets the threshold of the CBM-U4AS. Characteristics should suit each operator's individual situation. Counter clockwise is least sensitive with low volume audio output, clockwise is most sensitive with high audio volume gain.

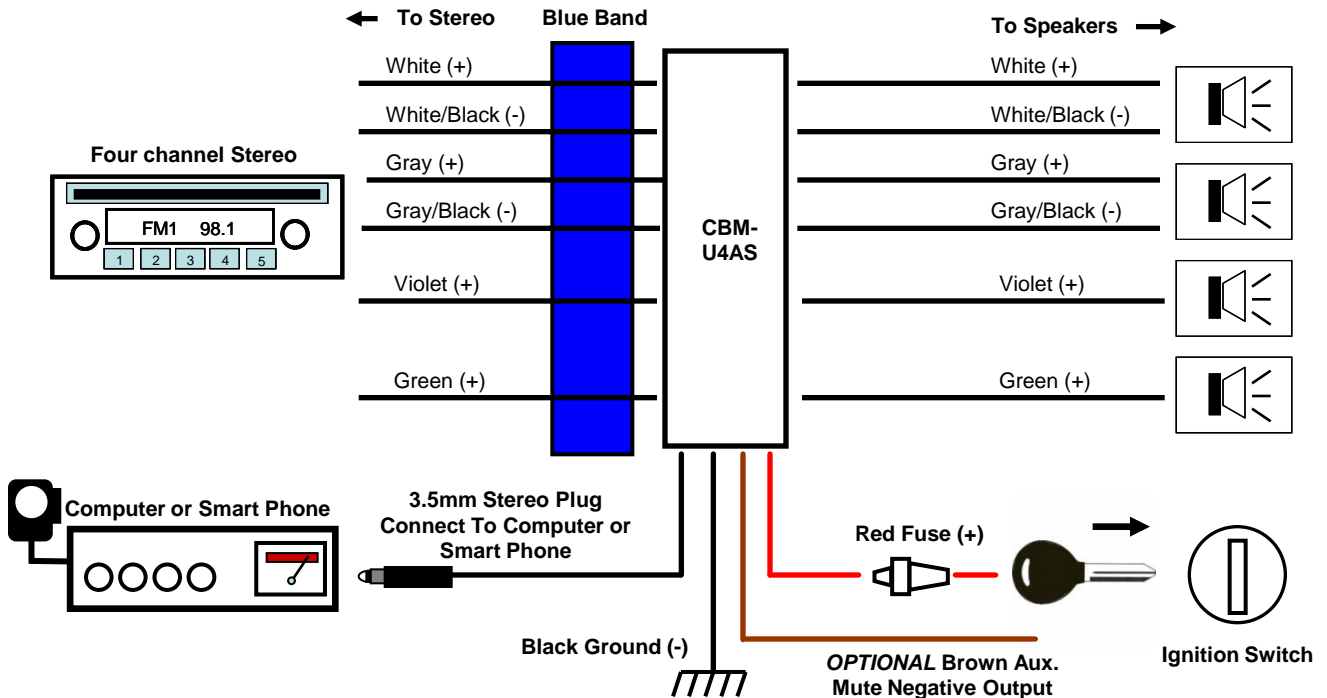
Time Delay Control:

By turning the control full counter clockwise makes the least time delay (2 second delay). Turning fully clockwise makes the most time delay (30 second delay) Red-LED is a visual display indicating the timer is active and stereo is switched off to the adjusted time. Operator option.

Tone Control:

By turning the control full counter clockwise makes the tone of the Two-Way radio or other radio receiving device tone High. Full clockwise makes the tone Low. Operator option.

CBM-U4AS 2 or 4 SPEAKER AUDIO INTERRUPT



Installing the **CBM-U4AS** takes only basic wiring skills and tools

The CBM-U4AS is mounted between the stereo and speakers

The 3.5 mm (1/8") male stereo plug from CBM-U4AS plugs into the computer or Smart Phone external-speaker, output jack.

Black wire of the CBM-U4AS connects to the chassis ground. Attach to a clean metal surface of the vehicle with a screw or bolt.

Red Fused wire connects to the accessory terminal of the ignition. This is usually found at the fuse panel. Check with your Vehicle owner's manual for the location

Brown Wire is an *OPTIONAL*, auxiliary muting wire with a negative output that connects to the mute wire of an aftermarket stereo or to trigger a relay to open the audio path for a subwoofer.

NOTE: Do Not Ground This Wire. Cap-off when not used.

Stereo And Speaker Wiring For the CBM-U4AS

There are Two Groups of lead wires having six wires in each group.

Group One has a **BLUE BAND** and connects to the stereo's output wires.

White wire

connects to the left front (+) stereo output..

White/Black wire

connects to the left front (-) stereo output.

Gray wire

connects to the right front (+) stereo output.

Gray/Black wire

connects to the right front (-) stereo output

Violet wire

connects to the right rear (+) stereo output.

Note: Right Rear (-) speaker wire from stereo to the speaker remains connected and uncut.

Green wire

connects to the left rear (+) stereo output.

Note: Left Rear (-) speaker wire from stereo to the speaker remains connected and uncut.

Group Two has **NO BAND** and connects to the speaker wires

White wire

connects to the left front (+) speaker wire.

White/Black wire

connects to the left front (-) speaker wire.

Gray wire

connects to the right front (+) speaker wire.

Gray/Black wire connects to the right front (-) speaker wire

Violet wire

connects to the right rear (+) speaker wire

Green wire

connects to the left rear (+) speaker wire

Zip Tie all loose wires together.